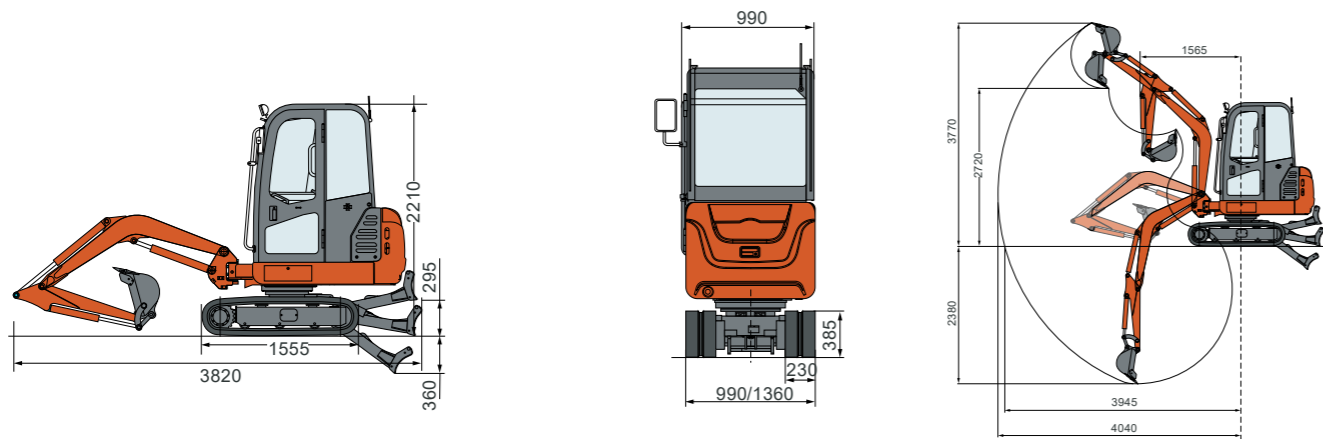


Lonking 龙工



TECHNICAL PARAMETERS

Name		Data
Basic	Operating weight	1940 kg
	Standard bucket Capacity	0.04 m ³
	Standard bucket Width	380 mm
	Max.Travel speed	2.0/3.5km/h
	Max.Swing speed	10 rpm
	Grade ability	30°
	Ground pressure	30 kPa
	Max.Traction force	16.7 KN
	Boom swing angle (L/R)	75°/50°
Engine	Engine brand	YANMAR
	Engine model	3TNV80F-SSSU
	Rated power	13.4 kW/2200 rpm
	Displacement	1.267 L
	Fuel tank	23 L
Hydraulic	Max.Flow(total)	2×21+13.2+6 L/min
	Max.Working pressure	21 MPa
	Max.Pilot pressure	3.2 Mpa
	Max.Arm digging force	9.8 kN
	Max.Bucket digging force	22.7 kN
	Hrdraulic oil tank	35 L
Chassis	Track width	230 mm
	Track type	Rubber crawler
	Carrier rollers number	1(each side)
	Track rollers number	3(each side)
Electric	System vottage	12 V
	Battery capacity	12 V,45 Ah

STANDARD EQUIPMENT

Fops/Tops cabin
Suspension seat
Warm air blower
Hydraulic pilot control rod
Deflectable boom
Warning light
Breaker pipeline

OPTIONAL EQUIPMENT

Electro-hydraulic proportional joystick
Front safeguard
Fops/Tops canopy
260mm width bucket
600/1000mm width bucket
Quick hitch pipeline
230mm steel tracks

PRODUCT FEATURES

Yanmar Strong Power Engine.Emission level reaches USA T4F and EU Stage V .
Hydraulic control telesopic chassis designed for narrow and complicated working conditions.
Wider space and view are provided by enlarged front windscreen and sunroof.
Clear monitoring instrument that is easy to operate and check.
The tail hood can be opened to a large degree which makes easier daily inspection and change of filters.
Retractable chassis , good trafficability and more stable.

CDM6020 HYDRAULIC EXCAVATOR

Efficiency Rules the Future



OPERATING WEIGHT:	1940kg
ENGINE POWER:	13.4kW
BUCKET CAPACITY:	0.04m ³
TRAVEL SPEED:	2.0/3.5km/h